

SOLAR ECLIPSE



UNIQUELY DESIGNED



BUILT TO LAST, PROFESSIONALLY INSTALLED

Every Eclipse shading system is custom made and professionally installed by our independent dealers to meet your individual requirements. The Solar Eclipse unit is available up to 23' wide with projections up to 13'. Eclipse components meet stringent ISO 9001 and TUV standards and are assembled in the USA by skilled craftspeople.



Full Cassette



Semi Cassette

TRULY THE INDUSTRY LEADER

Solar Eclipse Arms:

- The Eclipse brand exclusive ABT arm belt is hidden - clean finished look and 21% more arm tension than our Eclipse model - stronger, tighter fabric.
- Tested to 72,000 cycles - 20% more expected life than the Eclipse model.
- Thicker, contoured arm profiles - reduced arm deflection.
- Sealed dual ball bearing elbows with a larger radius curve - smoother operation and better arm tension.



Solar Eclipse Arm

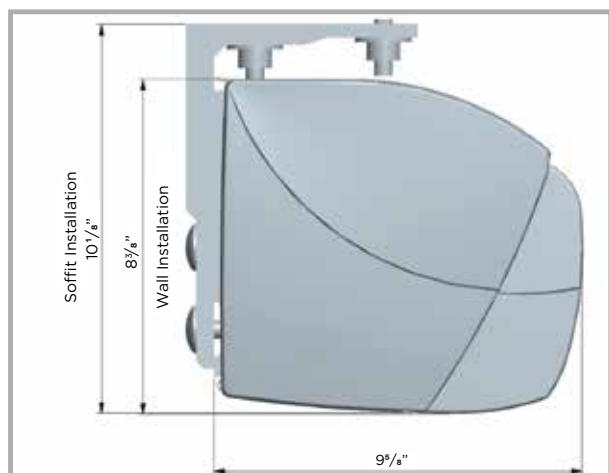
TO MEET YOUR NEEDS



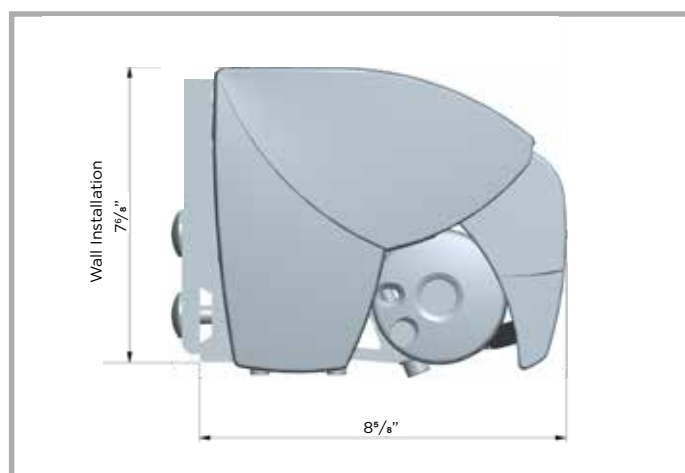
MOTORIZED FOR EASY USE

Your Solar Eclipse features a UL listed motor from Somfy, the world leader in home automation. You can operate your shading system with a wireless wall switch, a hand held remote, from your smart device... or from all of these! To increase the usefulness and effectiveness of your shading system, plus add a level of protection, Eclipse also offers sun sensors and motion sensors.

UNIT PROFILES (UNIT MEASUREMENTS INCLUDED)



Full Cassette (Soffit Mount)



Semi Cassette (Wall Mount)

PRODUCT OPTIONS



DROP SHADE

Add even more solar protection while increasing your privacy with the Eclipse Drop Shade. This option features an open mesh, sun screen fabric that extends down from the front bar over the width of the awning. The Drop Shade is self storing, motorized and is available up to 11'6" projection.



LUNAR LIGHTING

Add a unique element to your evening entertaining with several lighting options. Lunar Lighting (shown) is typically applied to the back of the front bar and offers a soft warm glow light which can be turned on or off with the same multi-channel remote/transmitter as your awning. An LED lighting option is available with light strips applied to the arms of the awning (dealer installed). This UL-listed LED light kit offers 16 levels of light in either warm (3000K) or cool (6000K) lighting and like lunar lighting, can be controlled with the same multi-channel remote/transmitter or multi-channel wireless wall switch. Research suggests that warm lights attract less bugs.



ELECTRONIC ACCESSORIES

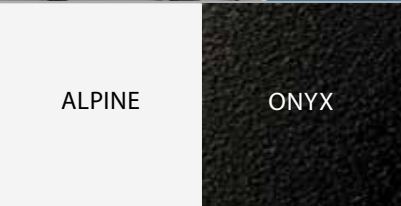
Our world class wireless components make operating your shading system effortless.

- Wind/Motion Sensor: This accelerometer sensor attached to the awning's framework will retract the unit if it gets too windy - adding a level of safety and security.
- Sun Sensor: This sensor, typically mounted to an exterior wall, will automatically extend the awning once the preset sun level is attained, and will automatically retract your shading system when the sun passes.
- TaHoma: With TaHoma®, create scenarios to link your connected devices and activate them with just a click on your smartphone!



FULL CASSETTE HOUSING

Protect your entire unit from the elements all year long with the added protection of the full cassette option. The full cassette, like the standard semi cassette housing, is all aluminum and powder coated to match the other components of the unit. This option offers a cleaner look when fully retracted and is available up to 23'.



HARDWARE TO MATCH YOUR DÉCOR

Eclipse offers two architecturally pleasing colors to either match or accentuate your home. Our pretreated powder coated finishes are second to none in durability and appearance.



SUNBRELLA SHADE FABRICS - FROM SERENE TO STUNNING

Eclipse offers a wide array of long lasting, fade resistant, 100% acrylic fabrics from Sunbrella. The Sunbrella Shade fabrics are specifically made for heavy duty applications such as retractable awnings. Each fabric cover is computer cut, has ultrasonically sealed edges, and is sewn with Tenera thread to provide a full 10 year warranty on the fabric and the seams. Make a bold statement or blend harmoniously to your home's décor... whatever your choice, we have the fabric for you.



AN ADDED LEVEL OF SECURITY

Looking for a lifetime warranty on your complete shading system - from frame to fabric, motor and electronics? Ask your dealer for complete details on our platinum protection programs.

THE NEXT GENERATION IN SHADING



DELIVERING VALUE

Every Eclipse product is custom made and professionally installed to match your individual requirements. The Solar Eclipse is our latest European inspired shading system. With its sleek design for a clean visual when closed, the Solar Eclipse offers what today's discerning homeowners are looking for - function & form. From a very compact space, your custom made, on-demand shading system can span 23' feet wide and project up to 13' when extended.

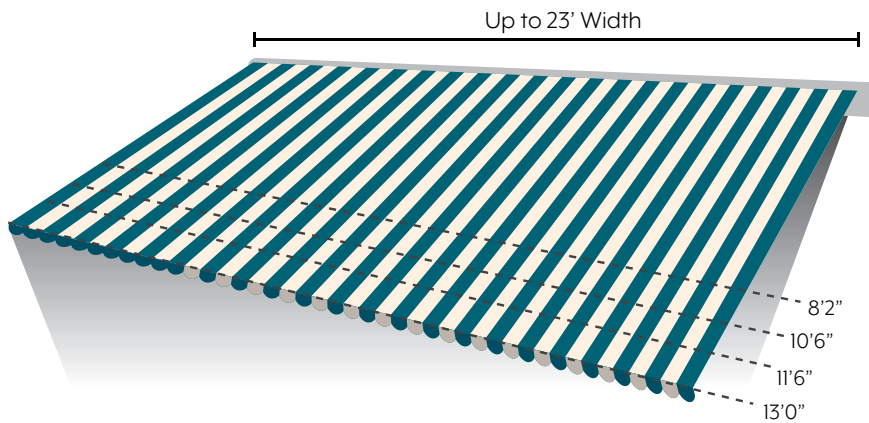
ELEGANT PERFORMANCE

The Solar Eclipse features components that provide a refined, finished look while adding strength and durability to the system. The aluminum powder coated torsion bar has been upgraded to a stronger, thicker wall profile to increase unit rigidity. The retractable arms are where you'll notice the greatest improvements. These arms feature larger arm profiles, a concealed heavy duty arm belt, sealed ball bearings at the elbow and an overall contoured designer shade.



Optional Drop Shade shown

PRODUCT FEATURE OPTIONS



SIZES AVAILABLE

The Solar Eclipse shading system is custom made to fit your unique space. With widths up to 23' wide and projections up to 13', we've got you covered!

The Solar Eclipse components meet stringent ISO 9001 and TUV standards and are assembled in the USA by skilled craftspeople.



PRODUCT WARRANTY*

Lifetime Frame
10 years on Fabric
8 years on motor and electronics

*Please review warranty for complete details



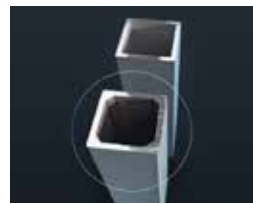
SOLAR ECLIPSE ARMS

Incorporates sealed ball bearings and larger profiles providing smooth and quiet operation.



CONCEALED ARM

The larger, internally hidden, belt means a cleaner finished look with a tighter fabric cover.



ALUMINUM TORSION BAR

The Solar Eclipse comes standard with a heavy duty, 40mm x 40mm, galvanized steel torsion bar that is powder coated to match the framework of the awning. For coastline applications, we offer an optional 8mm thick walled powder coated aluminum torsion bar.



MOTORIZED

Easy motorized touch of a button. Operation includes the functionality of a manual override feature should you lose power.



Your independently owned and operated dealer

EL6P124

99.2% of Eclipse customers would recommend us to a friend or neighbor. (based on 2022 & 2023 Eclipse owners feedback)

Verified, third party customer reviews since 1/1/18 to date
Powered by:



★★★★★★
Product Rating 5
★★★★★★
Dealer Rating 4.8

For more photos, customer feedback and additional product details, please visit:

ECLIPSESHADING.COM